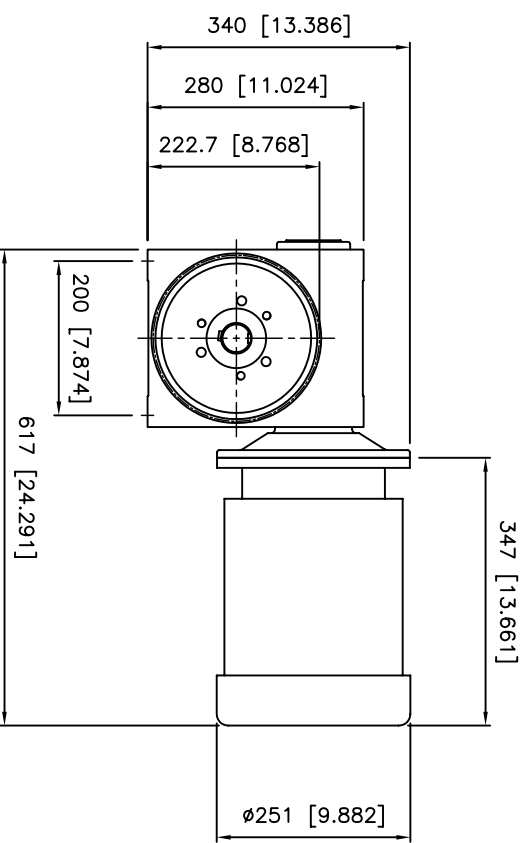
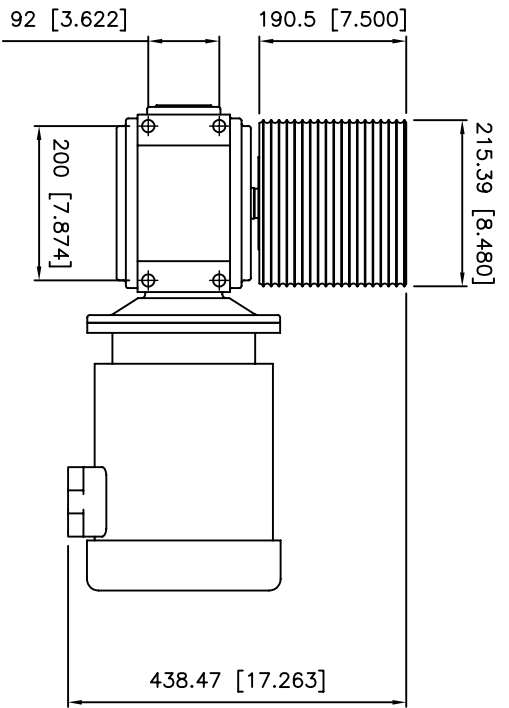
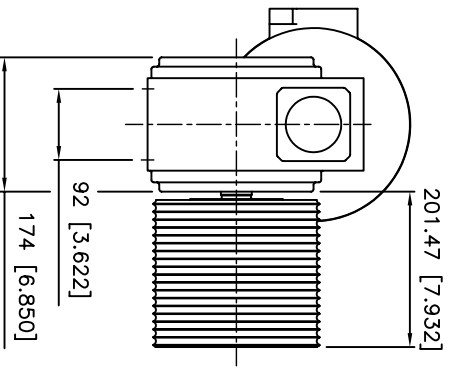


KS 200DH	
Residential Elevator Drum Hoisting Machine	
Static Load	2200 lbs(1000kg)
Capacity	950lbs(430kg) , 750lbs(340kg)
Speed	40f/m(0.2m/s) ,80f/m(0.4m/s)
Weight	100lbs(about 50kg)
Input Power	220V, 380V 3ph
Reducer Ratio	60/1, 90/1, etc
Drum	210, 220, 230mm
Wire Rope	8mm or 9.5(3/8") Cable



UPKEESSANG	
Scale	N/S
Date	2010-05-09
DWG #	KS 200 DH
NAME	DRUM HOISTING MACHINE

